

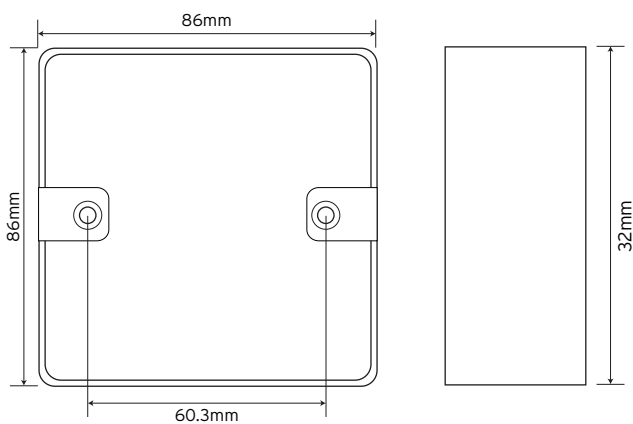
# NSPB321 Mounting Pattrress



**20  
YEAR  
GUARANTEE**

A new take on traditional moulded wiring accessories manufactured in bright white Urea.

### Technical Drawing



### Technical Specifications

<b>No Gangs</b>	1
<b>Material Composition</b>	Front Plate - Urea
<b>Anti Microbial Certified</b>	Yes
<b>IP Rating</b>	IP20
<b>Operational Temperature</b>	-5° to +40 °C
<b>Standards</b>	BS 5733 : 2010 + A1 : 2014, Modified ISO 22196
<b>Dimensions</b>	86x86x32mm (HxWxD)
<b>Warranty</b>	20 Years